

East Logan Water District
Phase VI: System-wide SCADA Improvements Project

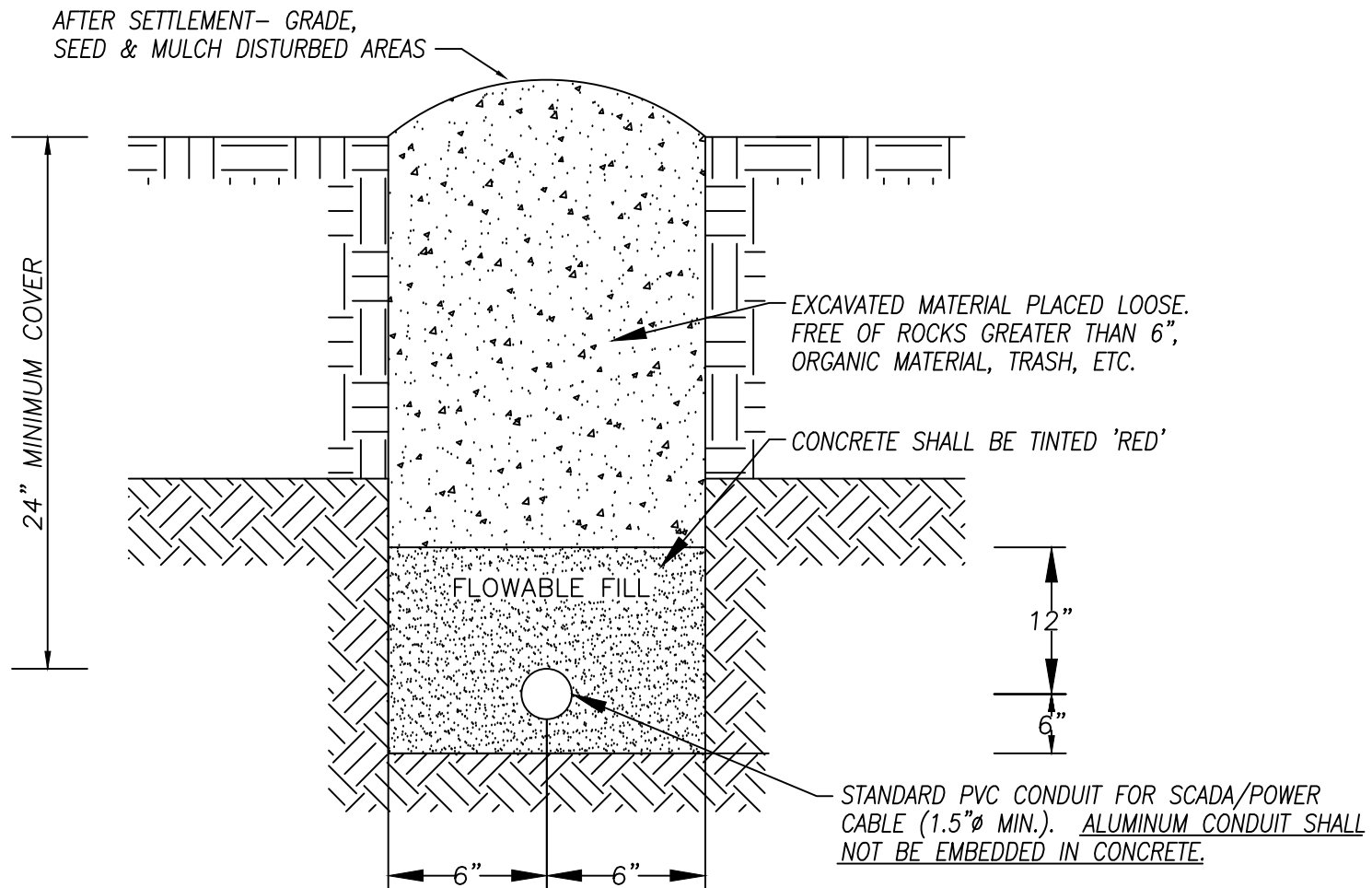
ADDENDUM No. 3

November 9, 2018

This ADDENDUM to plans, specifications and bidding documents for the subject project modifies the referenced items to the extent described herein. Items not modified by this ADDENDUM remain unchanged and in full effect. Bidders are required to acknowledge receipt of this ADDENDUM on the Bid Form.

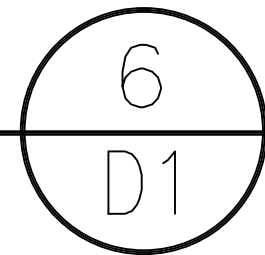
1. Drawings: Sheet D-1 'Miscellaneous Water Details': **Replace** Detail 6 – SCADA/Power Trench Detail with the attached (Attachments: 1 page).
2. Drawings: Sheet D-2 'Miscellaneous SCADA Details': **Replace** Detail 1 – SCC Panel Mounting Detail with the attached (Attachments: 1 page).

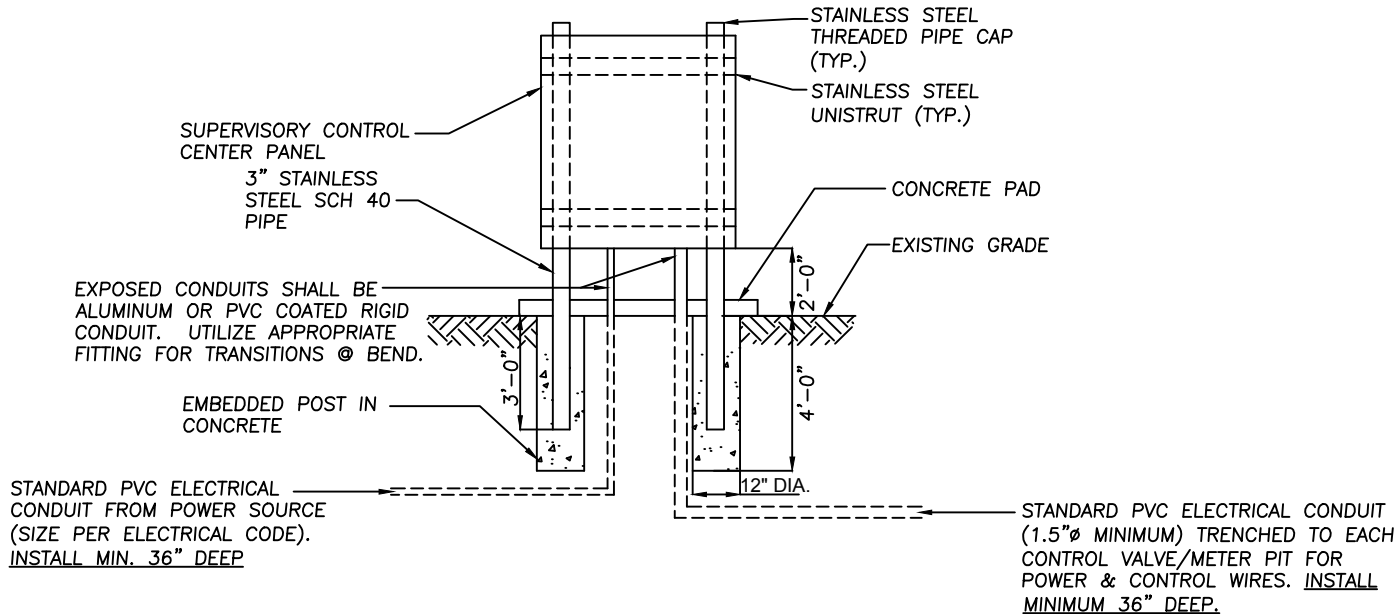
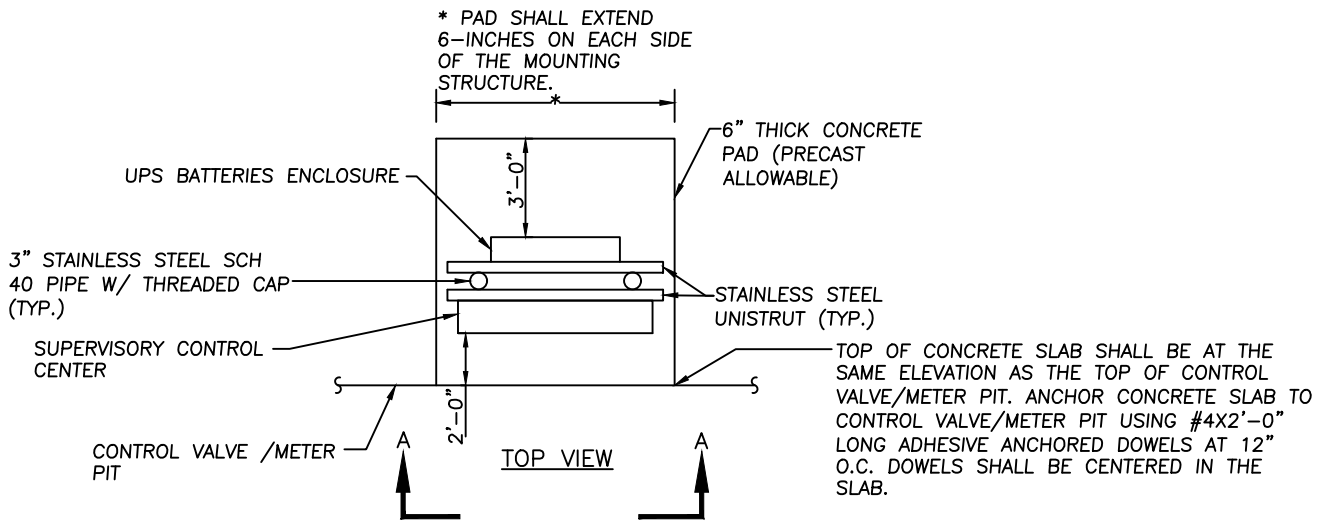
END OF ADDENDUM NO. 3 TEXT
This ADDENDUM consists of a total of 3 pages.



SCADA/POWER CABLE CONDUIT TRENCH DETAIL - ROCK

NOT TO SCALE





NOTE:
 IN AREAS OF ROCK OR FOR SHALLOW INSTALLATIONS, ALL CONDUITS SHALL BE INSTALLED IN ACCORDANCE WITH DETAIL 6, SHEET D1 (ADDENDUM 3 VERSION).

ELEVATION A-A

NEW INSTALLATIONS SCC PANEL MOUNTING DETAIL

NOT TO SCALE

